

# **PL-6200**

## **ULTRASONIC - Parking Sensor**

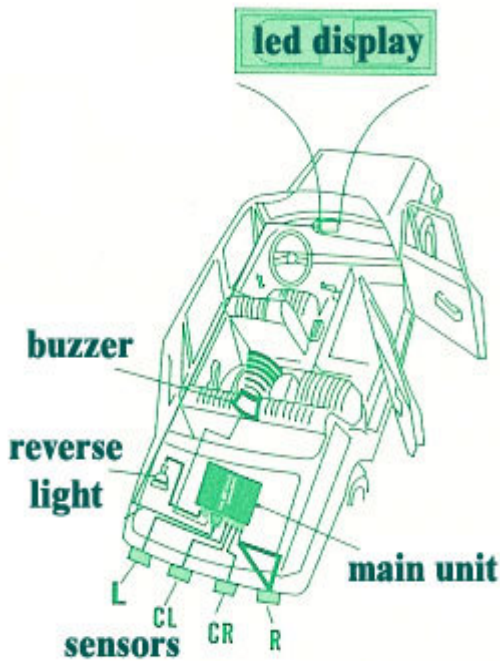
### **OWNER'S MANUAL**

**CONTENTS:**

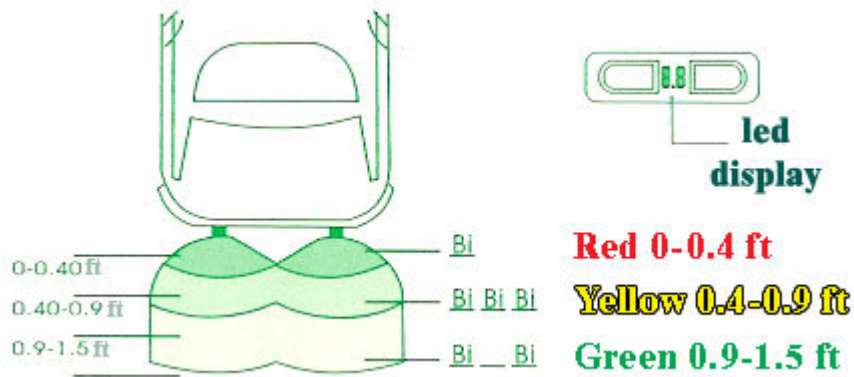
OPERATING INSTRUCTIONS  
DESCRIPTION OF FUNCTIONS AND FEATURES  
WIRE CONNECTION GUIDE  
INSTALLATION GUIDE

Before operating this set, please read these instructions completely.

## Installation

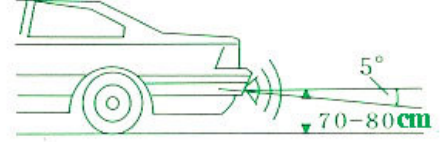
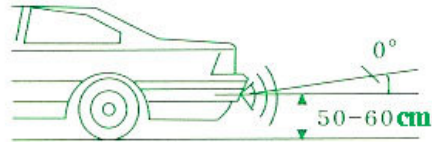
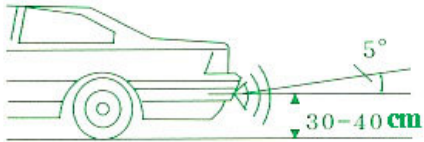
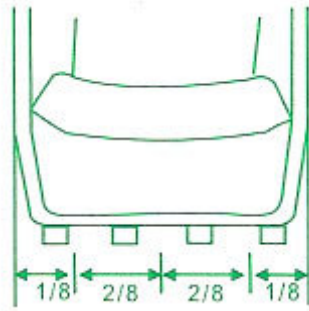


## Sensors Distance

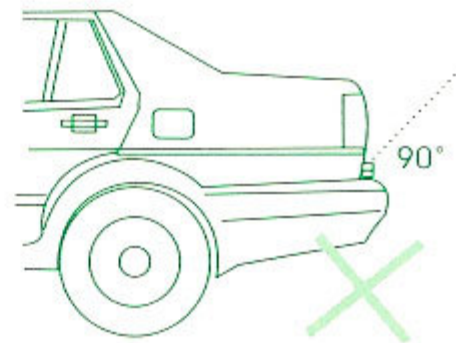
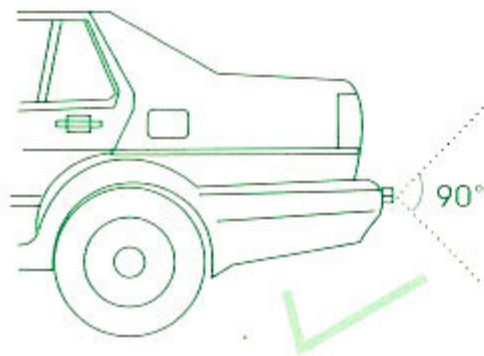
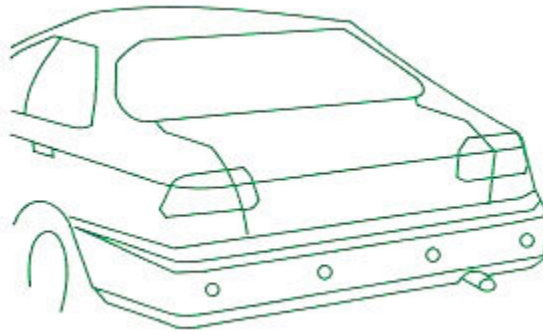
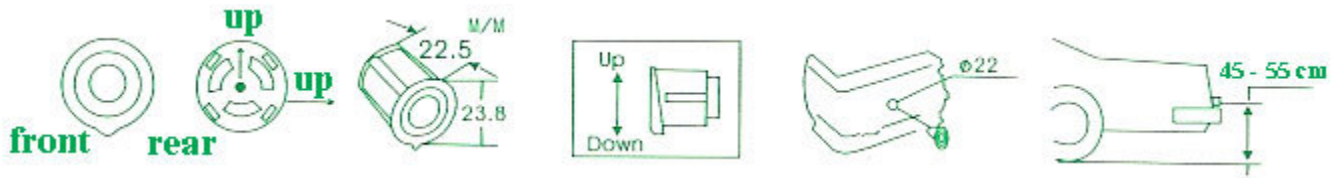


## Install Distance

---



## Sensors Location



## UNABLE DETECTED OBJECTS



## Technological Specification

---

Voltage:	DC +12v
Current:	40 mA
Detect Distance:	2 – 150 cm
Detect Angle:	H > 100 deg > 50 deg
Temperature:	-20c to +65c

Should any problem persists, please contact your dealer, installer, and technician.

*- Thanks for purchasing elfinx products -*